




TRAY HOLDER ARMS

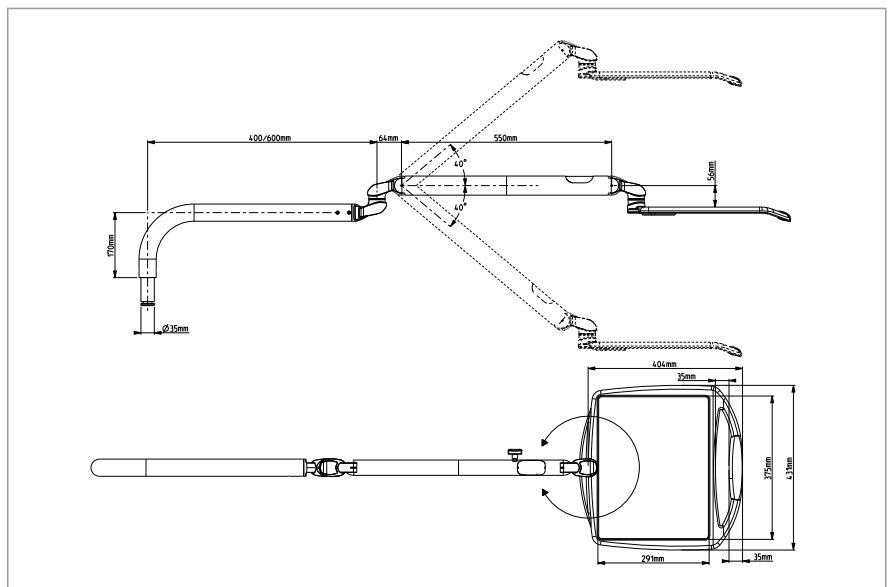
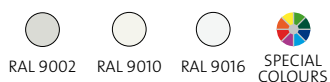
 Medical Device compliant
 with directive 93/42/EEC
 FARO S.p.A. - Via Faro, 15 - 20876 Ornago (Italy)

NEW TRAY HOLDER ARMS

To have close at hand everything you need to work, the new tray holder arm has a **completely refurbished design** and **enhanced performance**.

The new tray holder arm has the ability to move in all directions the **support table with a new design**, while keeping it **perfectly aligned**.

AVAILABLE COLOURS:



TRAY HOLDER ARMS

Medical Device compliant with Directive 93/42/EEC and s.m.i. of class I.



A PRACTICAL AND RESISTANT SYSTEM

By loading the table (up to maximum 3 kg) after having placed the tray, the system can be easily locked by turning the locking knob on the clutched arm.



ERGONOMIC HANDLE

The new ergonomic handle enables the tray to move in any direction and stop in the desired position very easy and with maximum accuracy.



AUTOCOMPENSATOR ARM

The autocompensator arm ensures perfect stability of trays.

ACCESSORIES



2 IN 1 TABLET / TRAY HOLDER

Compact and versatile, the tablet holder is adaptable to any kind of tablet and turns, if necessary, into a sterilization tray holder, providing a further surface close at hand.



SINCE 1948: EXPERIENCE
AND INNOVATION

FARO S.p.A.

via Faro, 15 - 20876 Ornago (MB) - Italy Tel. +39 039.68781 - Fax +39 039.6010540
www.faro.it - export@faro.it

FARO FRANCE

Za Tgv Coriolis - 71210 Montchanin - France Tel. +33 385.779680 - Fax +33 385.779688
www.farofrance.com - farofrance@farofrance.com

FARO DEUTSCHLAND GMBH

Gewerbepark Heideckhof Heideckstr. 179 D-47805 Krefeld - Germany Tel. +49 2151.936921 - Fax +49 2151.936933
www.farodeutschland.de - info@farodeutschland.de

Certified Company



ISO 9001:2008 ISO 13485:2003

INFO LINE:

